



# Technical information

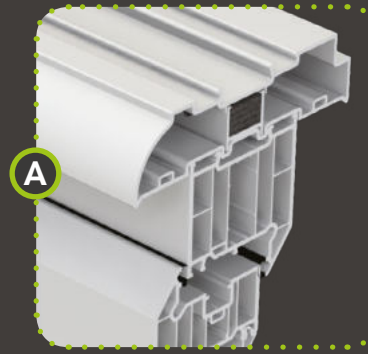
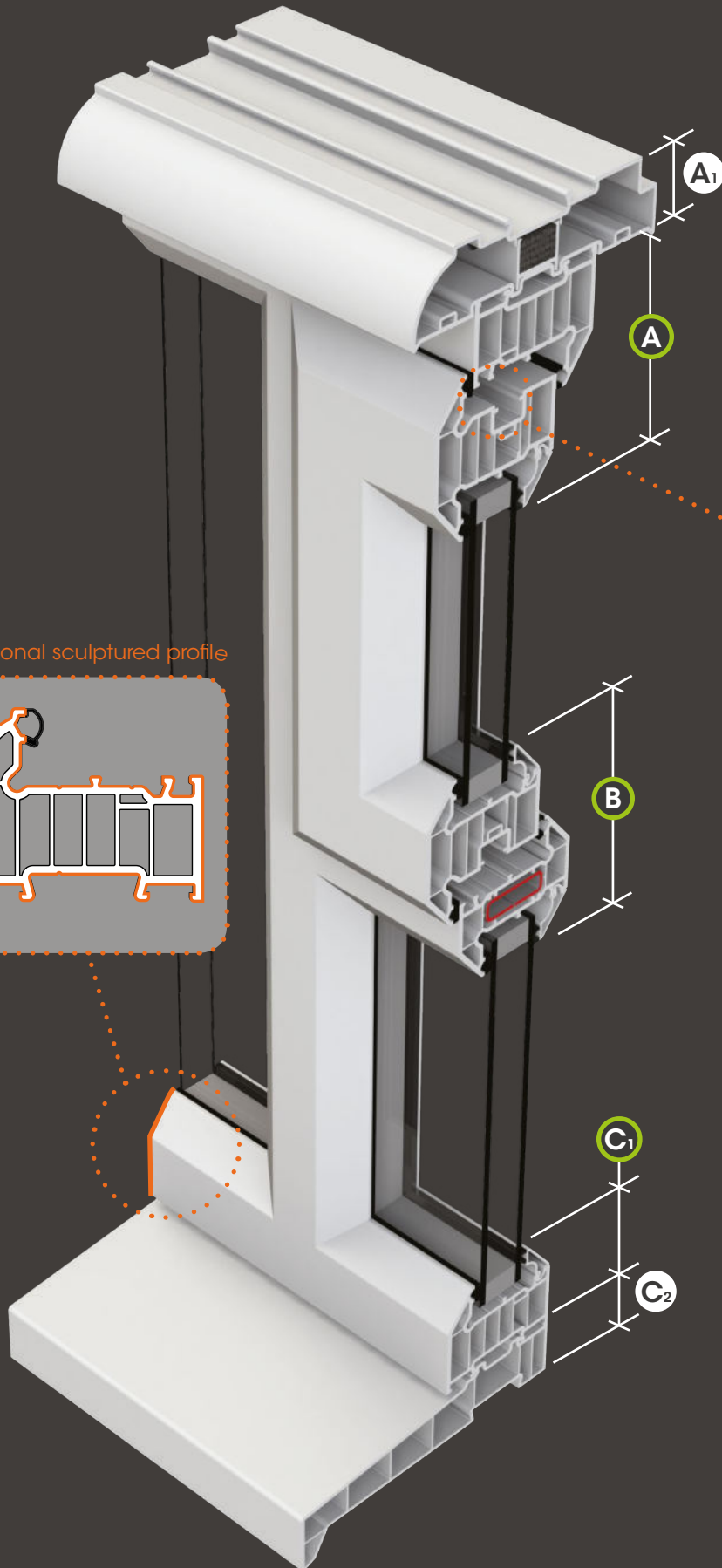
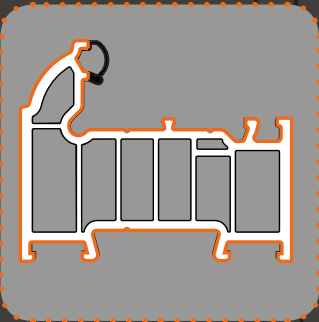
For Liniar casement windows



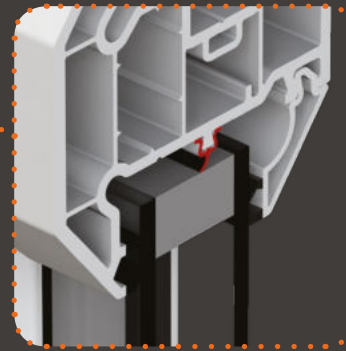
# EnergyPlus Casement Window

Vertical Cross Section - Outward opening, internally beaded\*

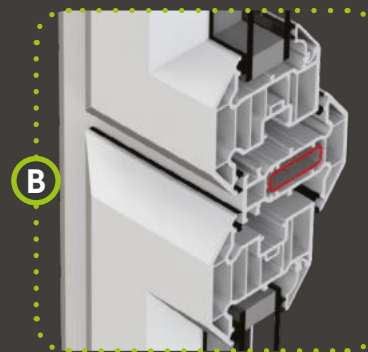
Optional sculptured profile



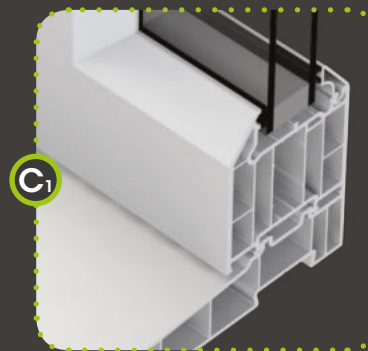
Optional large frame



Optional glazing filippet



Sash next to sash



Optional large frame

\* externally beaded options are also available and feature the same sightlines

## EnergyPlus Casement Window



- Sculptured and chamfered suites
- 28mm double and 36mm/40mm triple glazing
- 4 chambered multi-wall profiles
- U-values from 1.2 (DGU) and 0.8 (TGU)
- Patented co-ex gasket

### Accreditations



PAS24



BS EN 12608



ISO 9001



BS EN 6375

### Colour Options



White or White Foil



Cream or Cream Foil



Chartwell Green



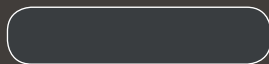
Irish Oak



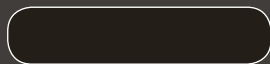
Golden Oak



Rosewood



7016 Grey



Black

Additional colours are available to order as specials.  
The colours shown in this brochure give an indication only.



Product	Dim. <b>A<sub>1</sub></b>
<b>Head vent</b> LHV301 & LHV31	30mm
Optional for all Linar products	

Product	Dim. <b>B</b>
<b>Small frame &amp; sash</b> L#W012 & L#W033	104mm
<b>Large frame &amp; sash</b> L#W017 & L#W033	124mm

Product	Dim. <b>B</b>
<b>Transom &amp; sash</b> L#W022 & L#W033	114mm
<b>Int. transom &amp; sash</b> L#W027 & L#W033	134mm
<b>Transom &amp; 2 x sash</b> L#W021 & 2 x L#W033	161mm
<b>Int. transom &amp; 2 x sash</b> L#W026 & 2 x L#W033	181mm

Product	Dim. <b>C<sub>1</sub></b>
<b>Small frame</b> L#W012	57mm
<b>Large frame</b> L#W017	77mm

Product	Dim. <b>C<sub>2</sub></b>
<b>85, 150, 165, 180 cills</b> LSL085, LSL150, LCL165, LSL180	30mm

# Replace notation with (S) for sculptured suite and (C) for chamfered suite.

## Liniar specification guide

The Liniar Specification Guide is an A4-size, 234-page, full colour guide to specifying energy efficient PVCu windows and doors.

Covering the full range of lead-free Liniar products including EnergyPlus casement windows, the Specification Guide includes full product charts, U-values, dimensions, accreditations, safety information and a variety of case studies.

To view an online copy of the Liniar Specification Guide and to order your free copy visit :

[www.liniar.co.uk/specification-guide](http://www.liniar.co.uk/specification-guide)

### Liniar

Flamstead House  
Denby Hall Business Park  
Denby  
Derbyshire DE5 8JX

Tel: +44 (0)1332 883900  
Fax: +44 (0)1332 883901  
Email: [sales@liniar.co.uk](mailto:sales@liniar.co.uk)

[www.liniar.co.uk](http://www.liniar.co.uk)

