



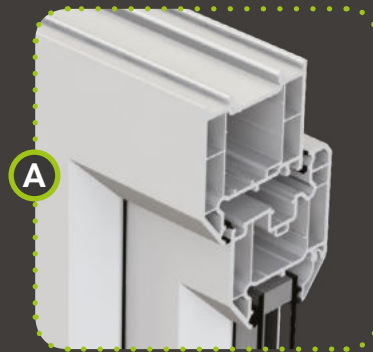
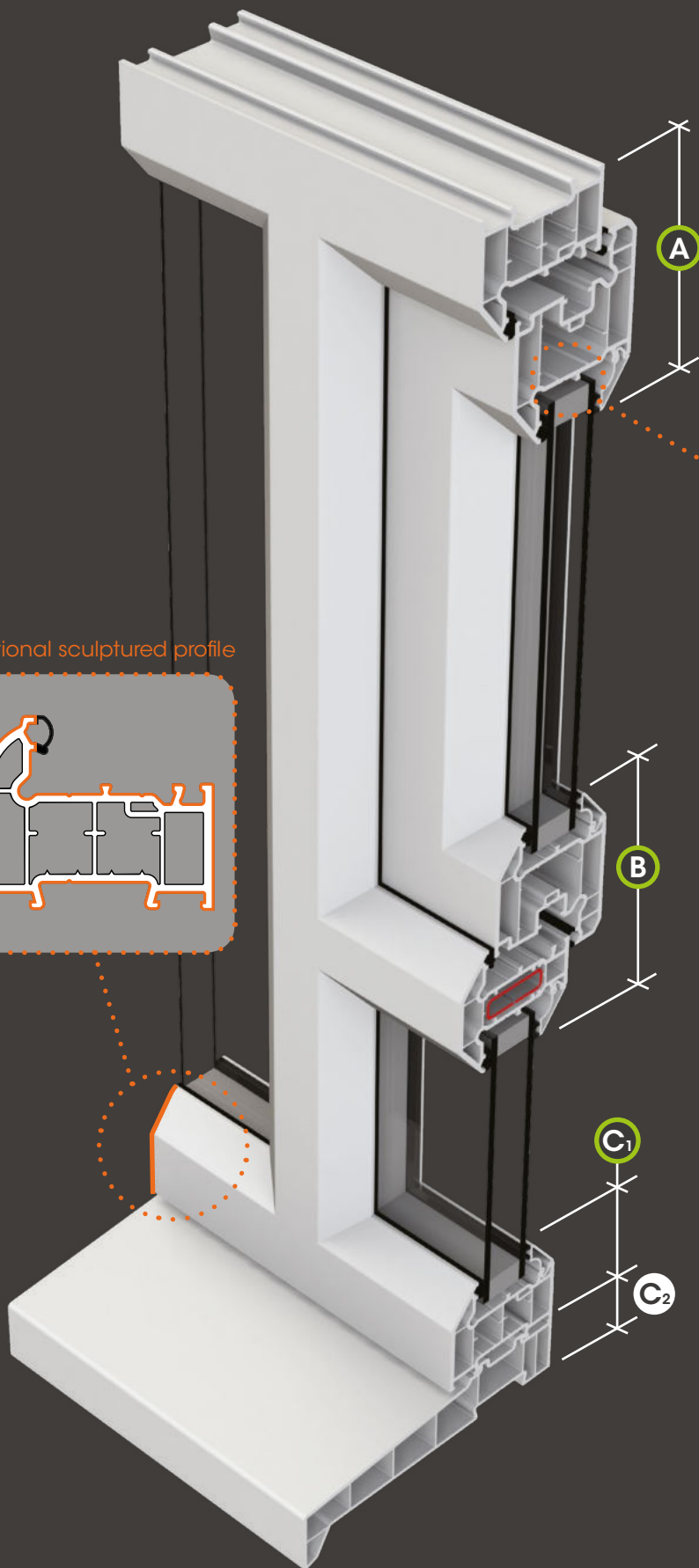
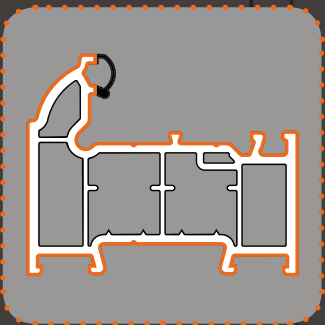
# Technical information

For Liniar tilt & turn windows

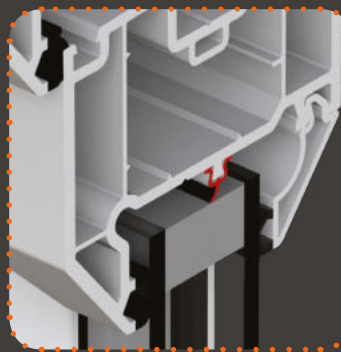


Vertical Cross Section - Inward opening, internally beaded

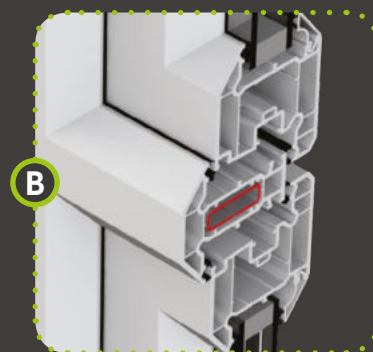
Optional sculptured profile



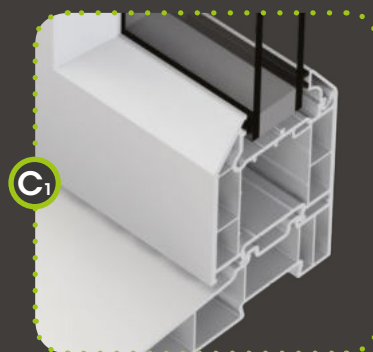
Optional large frame



Optional glazing flipper



Sash next to sash



Optional large frame



## Tilt & Turn Window

- Sculptured and chamfered suites
- 28mm double and 36mm triple glazing
- Ideal for fire exits
- U-values from 1.3 (DGU) and 0.9 (TGU)
- Patented co-ex gasket

## Accreditations



PAS24



BS EN 12608



ISO 9001



BS EN 6375

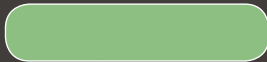
## Colour Options



White or White Foil



Cream or Cream Foil



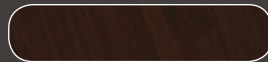
Chartwell Green



Irish Oak



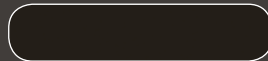
Golden Oak



Rosewood



7016 Grey



Black

Additional colours are available to order as specials.  
The colours shown in this brochure give an indication only.



Product	Dim. <b>A</b>
<b>Small frame &amp; sash</b> L#W011 & L#W035	111mm
<b>Large frame &amp; sash</b> L#W016 & L#W035	131mm

Product	Dim. <b>B</b>
<b>Transom &amp; sash</b> L#W021 & L#W035	121mm
<b>Int. transom &amp; sash</b> L#W026 & L#W035	141mm
<b>Transom &amp; 2 x sash</b> L#W021 & 2 x L#W035	175mm
<b>Int. transom &amp; 2 x sash</b> L#W026 & 2 x L#W035	195mm

Product	Dim. <b>C<sub>1</sub></b>
<b>Small frame</b> L#W011	57mm
<b>Large frame</b> L#W016	77mm

Product	Dim. <b>C<sub>2</sub></b>
<b>85, 150, 165, 180 cills</b> LSL085, LSL150, LCL165, LSL180	30mm

# Replace notation with (S) for sculptured suite and (C) for chamfered suite.

## Liniar specification guide

The Liniar Specification Guide is an A4-size, 234-page, full colour guide to specifying energy efficient PVCu windows and doors.

Covering the full range of lead-free Liniar products including tilt and turn windows, the Specification Guide includes full product charts, U-values, dimensions, accreditations, safety information and a variety of case studies.

To view an online copy of the Liniar Specification Guide and to order your free copy visit :

[www.liniar.co.uk/specification-guide](http://www.liniar.co.uk/specification-guide)

### Liniar

Flamstead House  
Denby Hall Business Park  
Denby  
Derbyshire DE5 8JX

Tel: +44 (0)1332 883900  
Fax: +44 (0)1332 883901  
Email: [sales@liniar.co.uk](mailto:sales@liniar.co.uk)

[www.liniar.co.uk](http://www.liniar.co.uk)

